

**Working Principle & Operation**

LA switch is Compact & rugged construction consisting of a free moving float and a switch assembly in non - magnetic material to catch maximum magnetic flux.

It includes dual magnets, one carried by the float arm and other by the other assembled in the switch enclosure.

A change in liquid level brings the like poles of dual magnets opposite to each other and resulting repulsion force which gives a changeover contacts with snap action.

**Special Features**

- Rugged construction
- Easy installation
- Easy replacement of electrical assembly

**Applications**

- Chemical processing equipment
- Alarms for hydro-pneumatic tanks
- Ship building industry
- Water treatment plant
- Food
- Pharmaceuticals

**Specifications**

**Standard Version :**

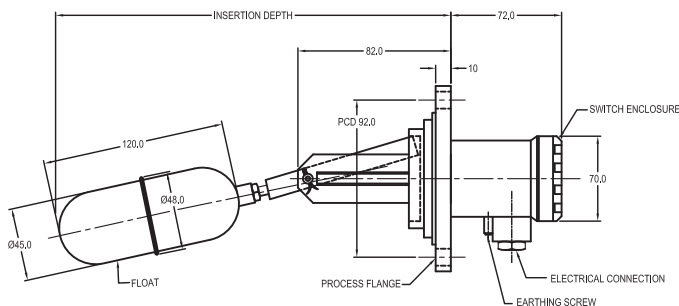
Housing material	: Die Cast Aluminum
Ingress protection	: IP 65
Process connection	: 92 mm PCD Square Flange
Material of wetted parts	: AISI 316 SS
Float diameter	: 45 mm (48 mm at welded seam)
Insertion depth	: 215 mm (Standard)

Cable entry	: ½" BSP (F) with ½" BSP (M) Conduit
Switch differential	: 15 ± 5 mm
Switch type	: Micro Switch
Switch rating	: 5 A / 250 VAC

Minimum specific gravity	: 0.75
Maximum operating temperature	: -10°C to + 180°C
Maximum operating pressure	: 18 kg/cm <sup>2</sup>

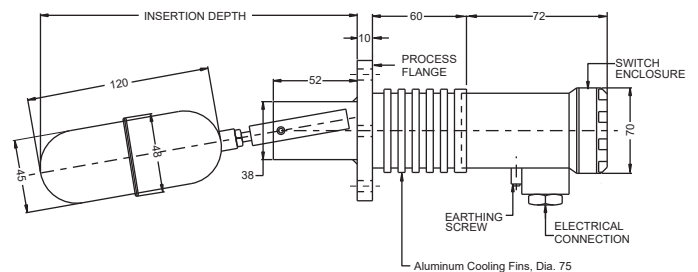
**Dimensions - Standard Version**

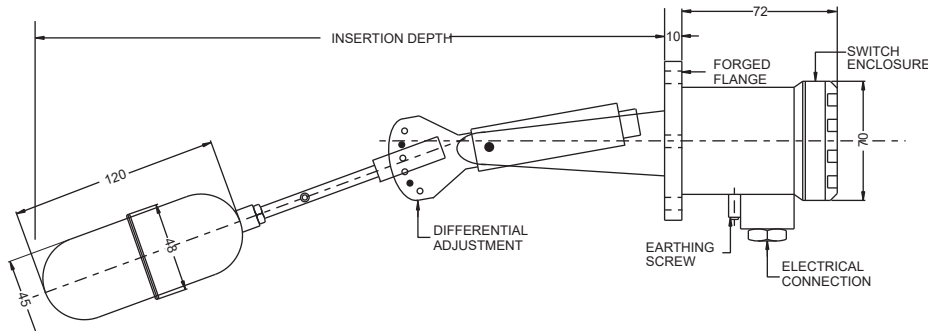
**Type - A: General Purpose**



LA MODEL WITH FORGED FLANGE

**Type - T: High Temperature (up To 350°C)**



**Type - Z : Adjustable Differential**

**How To Order**
**Example**
**Basic Model**
**TYPE**

- A** General Purpose (standard)
- T** High Temperature (up To 350°C) (with Aluminum Cooling Fin)
- Z** Adjustable Differential (with Process Connection Option **D03**)

LA

X

**Insertion Depth**

- Min. 215 mm for Type A
  - Min. 215 mm for Type T
  - Min. 350 mm for Type Z
- Please specify Insertion length in mm.  
 (Example : Write **215 A** For length **215 mm** & Type

215A

**Housing Material**

- A** Die Cast Aluminum Weatherproof to IP 65 (standard)
- E** Die Cast Aluminum Suitable for Gas (Group II A / II B)
- Y** AISI 316 SS (Group II A / II B)

X

**Cable Gland**

- A** Ss316 - 1/2" BSP (M) Conduit Plug (standard)
- B** Brass (NI Plated) - 1/2" NPT DC
- C** Brass (NI Plated) - 1/2" BSP SC
- D** SS304 - Ex Proof

X

**Switch Output**

- 1** 1 SPDT (Standard)
- 2** 2 SPDT / 1 DPDT

X

**Process Connection** (\*Float Diameter will be 25 mm, Seam diameter 28 mm)

Flanged (As per ANSI B 16.5)

<b>D01</b> 92 Mm PCD Square Flange (standard)	<b>6NM</b> 1" NPT (M)*	<b>B39</b> 2" 150# RF	<b>B40</b> 2" 300# RF
<b>D02</b> 92 Mm PCD Round Flange	<b>7NM</b> 1 1/2" NPT (M)*	<b>B45</b> 2 1/2" 150# RF	<b>B46</b> 2 1/2" 300# RF
<b>D03</b> 92 Mm PCD Forged Square Flange	<b>8NM</b> 2" NPT (M)	<b>B51</b> 3" 150# RF	<b>B52</b> 3" 300# RF
		<b>C33</b> 4" 150# RF	<b>C34</b> 4" 300# RF

XXX

**Options**

For Non Standard Products/optional Items, Please Contact Factory for Delivery and Minimum Quantity of Order.

- |  |  |
|--|--|
| <b>PC</b> PTFE Coating (up To 150 °c)<br>(for Flange Connection Type Only) | <b>GB</b> Housing - Suitable For Gas Group II A / II B |
| <b>MF</b> Matching Flange  | <b>GC</b> Housing - Suitable For Gas Group II C        |
| <b>SX</b> SS Tag Plate   | <b>GH</b> Material Test Certificates**                 |
|  | <b>PF</b> Polypropylene Float                          |

XX

\*\* material test certificates will be provided for wetted parts only with chemical composition testing.

For others, please consult factory.

**Ordering Example: LA . X . 215A . X . X . X . XXX . XX**

Ordering Information : Specify model no., Liquid, Specific Gravity, Operating Pressure &amp; Operating Temperature.

**Note** : Specifications and dimensions given in this product catalogue represents the state of engineering at the time of printing. Modifications may take place and materials specified may be replaced by others without prior notice.